

Card Dimension Gauge



Fixture with Standard
Digital Gauges

Fixture with Bluetooth
Digital Gauges

Bluetooth Capable Digital Gauges with Lifetime Warranty Enable Fast Data Capture

Q-Card's card dimension gauge quickly and easily measures the height, width and thickness with just one piece of equipment. In addition, Bluetooth capable version enables easy and fast data capture to your PC spreadsheet. The fixture is manufactured of aerospace-grade aluminum alloy with a hard anodized, scratch-resistant, durable finish to provide years of rigorous testing and trouble-free service.

It also features splayed feet and aggressive no-slip rubber pads for stability. Each fixture includes three digital gauges, a stainless steel calibration block and a hard-side carrying storage case.

Q-Card's card dimension fixture can be used to check card dimensions according to the following standards:

Mastercard CQM
ISO/IEC 7810
ISO/IEC 10373-1

Ordering Details

Part #	Description
906758	Card Dimension Fixture with Bluetooth Digital Gauges, Includes IP67 Rating (dust and waterproof) and lifetime warranty
906699	Card Dimension Fixture with Standard Digital Gauges, includes one year warranty
906759	Optional Data Acquisition Cables and Software for Standard fixture (906699)

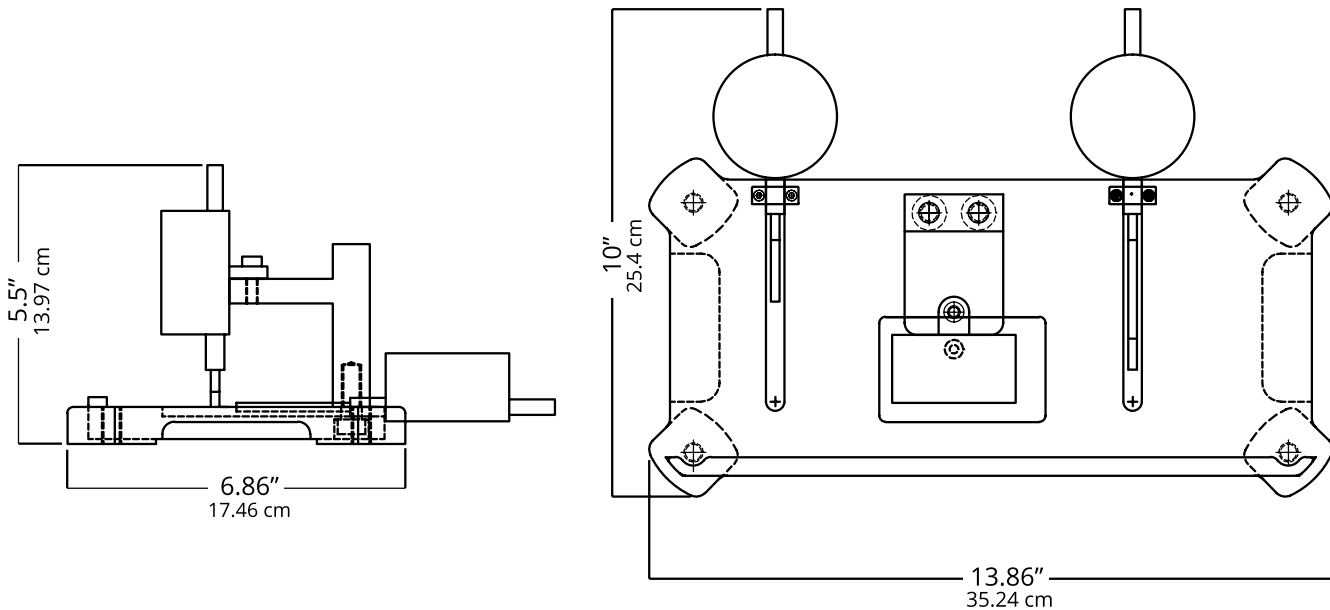
Fixture includes stainless steel height/width calibration block and heavy-duty carrying/storage case

Specifications

Weight

- 15 lbs. (includes carrying case)

Dimensions



301 Reagan Street
Sunbury PA 17801 USA
Phone 570.286.7447
Fax 570.286.2649
www.q-card.com

Q-Card is an



ISO 9001
Certified
Company

800-717-8007