

# Bending Stiffness Test Fixture



## Bending Stiffness Test Fixture

Q-Card's bending stiffness fixture features splayed feet and aggressive no-slip rubber pads for stability. It is manufactured of aerospace-grade aluminum alloy with a hard anodized, scratch-resistant, durable finish to provide years of rigorous testing and trouble-free service.

The test fixture includes the card clamping stand; a card stop gauge to provide the precise cantilever dimension; a 0.7 N stainless steel weight; and a movable stainless steel scale for precision accuracy.

Q-Card's Bending Stiffness Test Fixture is designed to perform the bending stiffness test according to the following standards:

**MasterCard CQM**  
**ISO/IEC 7810**  
**ISO/IEC 10373-1**

# Ordering Details

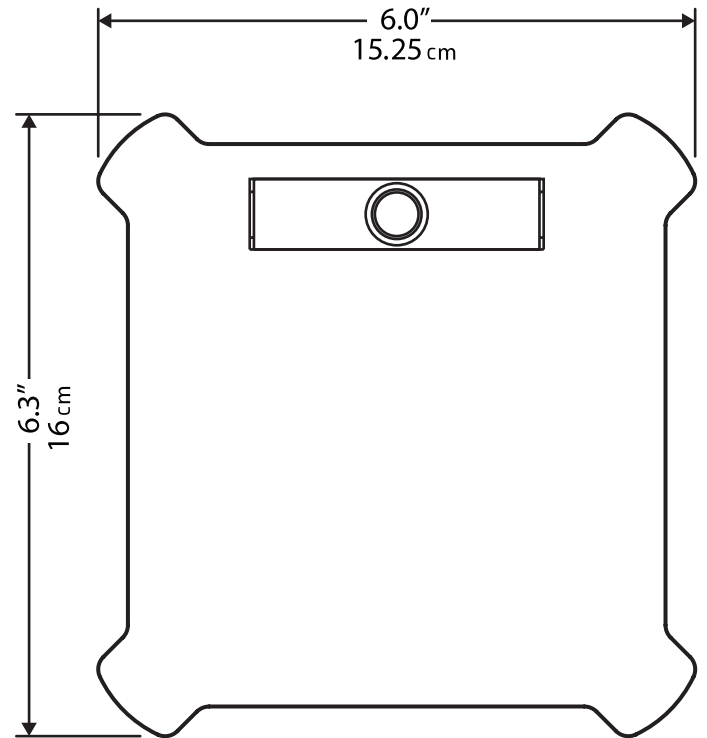
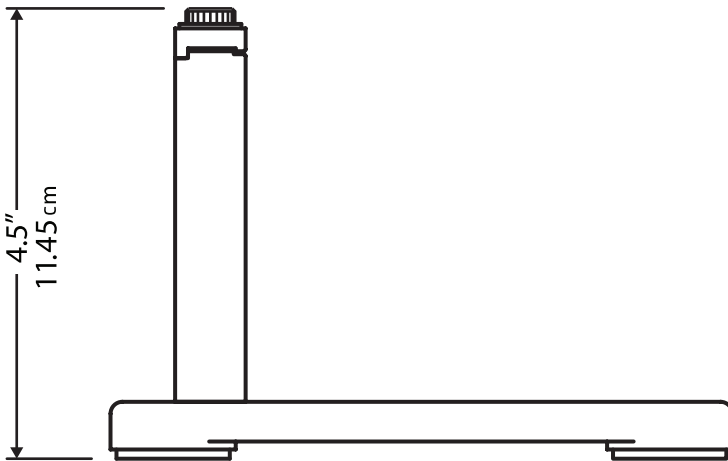
Part #	Description
906698	Bending Stiffness Test Fixture

# Specifications

## Weight

- 3.25 lbs.

# Dimensions



301 Reagan Street  
Sunbury PA 17801 USA  
Phone 570.286.7447  
Fax 570.286.2649  
[www.q-card.com](http://www.q-card.com)



**800-717-8007**