

# Overall Card Warpage Fixture



## Card Warpage Fixture

Q-Card's overall card warpage fixture features precision, low friction stainless steel ball slide guide rails with defined gaps for accurate go/no-go testing of overall card warpage.

Q-Card offers two fixtures, one for embossed cards and one for unembossed cards. The gap for the unembossed fixture is calibrated to quickly identify an overall warpage of 1.5 mm. The embossed fixture gap is calibrated to identify an overall warpage of 2.5 mm.

The fixture is manufactured of aerospace-grade aluminum alloy with a hard anodized, scratch-resistant, durable finish to provide years of rigorous testing and trouble-free service. The fixture has splayed feet and aggressive no-slip rubber feet for extra stability when testing.

The overall card warpage fixture is designed as a go/no-go gauge to check card warpage according to the following standards:

**Mastercard CQM**  
**ISO/IEC 7810**  
**ISO/IEC 7811-1**  
**ISO/IEC 10373-1**

# Ordering Details

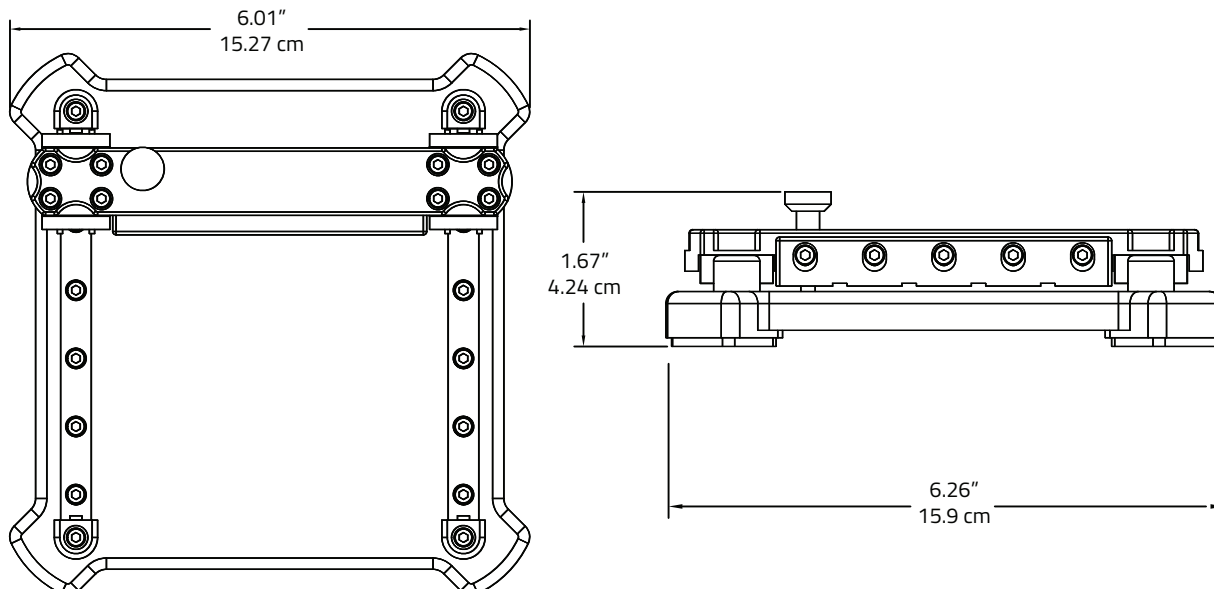
Part #	Description
906740	Card Warpage Fixture for Unembossed Cards
906740-EMB	Card Warpage Fixture for Embossed Cards

# Specifications

## Weight

- 2 pounds

# Dimensions



301 Reagan Street  
Sunbury PA 17801 USA  
Phone 570.286.7447  
Fax 570.286.2649  
[www.q-card.com](http://www.q-card.com)

Q-Card is



ISO 9001  
Compliant

**800-717-8007**