

Resistance to Heat Test Fixture



Resistance to Heat Test Fixture

Q-Card's resistance to heat test fixture allows testing of three cards at one time. A card's ability to resist heat is determined by exposing the cards to certain climatic conditions over time, then measuring the mechanical deformation caused by the influence of gravity.

Q-Card's resistance to heat fixture features splayed feet and aggressive no-slip rubber pads for optimum stability. It is manufactured of aerospace-grade aluminum alloy with a hard anodized, scratch-resistant, durable finish to

provide years of rigorous testing and trouble-free service.

The test fixture includes the card clamping stand, a card stop gauge to provide the precise cantilever dimension and a movable stainless steel scale for precision accuracy.

Q-Card's Resistance to Heat Test Fixture is designed to perform this test according to the following standards:

MasterCard CQM
ISO/IEC 7810
ISO/IEC 10373-1

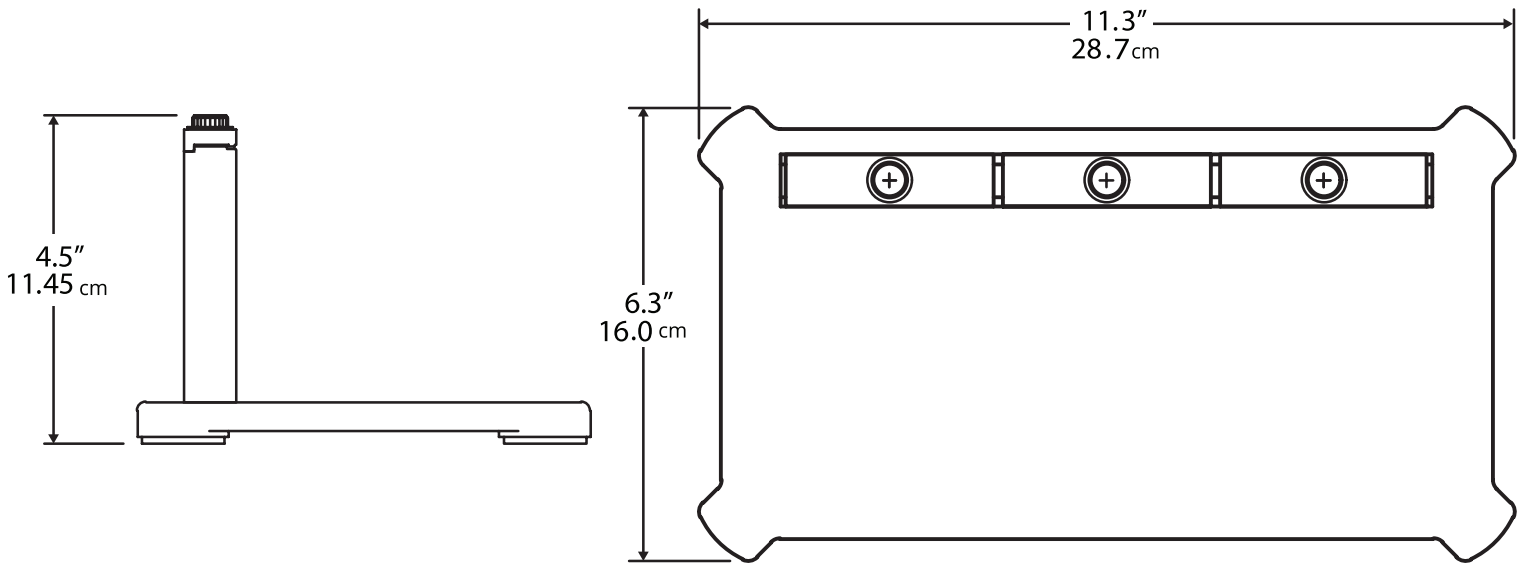
Ordering Details

Part #	Description
906707	Resistant to Heat

Specifications

Weight
▪ 6 lbs.

Dimensions



301 Reagan Street
Sunbury PA 17801 USA
Phone 570.286.7447
Fax 570.286.2649
www.q-card.com

Q-Card is an



ISO 9001:2015
Certified
Company

800-717-8007