

# Corner Impact Test Fixture



**Static Stress Fixture**

Q-Card's corner impact test fixture is designed to measure a card's ability to resist delamination and cracking when subjected to an impact. The fixture is capable of performing two card impact tests, corner and static stress. There are two separate fixtures that attach to the stand; one for corner and one for static stress. Its adjustable jaws allow use with various card thicknesses. The test fixture is easy to use and gives repeatable results.

Q-Card's corner impact fixture features a heavy duty custom CNC design with a small footprint to allow convenient benchtop use.

The corner impact test fixture is designed to perform tests according to the following standards:

**Mastercard CQM**  
**ANSI INCITS 322**

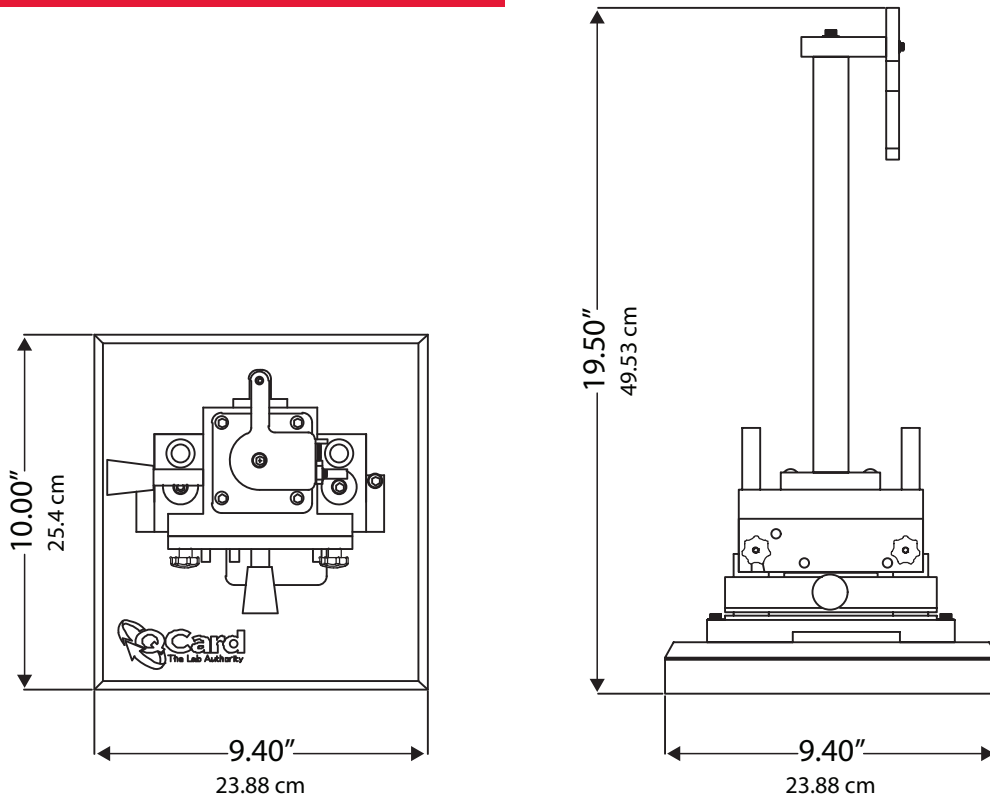
# Ordering Details

Part #	Description
905845-1	Corner Impact Test Fixture

# Specifications

**Weight:**  
▪ 21 pounds

# Dimensions



301 Reagan Street  
Sunbury PA 17801 USA  
Phone 570.286.7447  
Fax 570.286.2649  
[www.q-card.com](http://www.q-card.com)

Q-Card is



ISO 9001  
Compliant

**800-717-8007**