

Opacity Tester



The Q-Card opacity tester is designed as a go/no-go opacity test for ISO and MasterCard CQM standards. To test a card, the unit utilizes a calibration card to establish the baseline opacity criteria. The card under test will be evaluated against the baseline criteria, if the displayed value is less than or equal to the baseline, the card will pass.

Q-Card's card opacity tester includes the tester, power supply, calibration/reference cards, calibration certificate and instructions. It is battery powered to allow for convenient portability.

The card opacity tester is designed to perform this test according to the following standards:

Mastercard CQM
ISO/IEC 7810
ISO/IEC 10373-1

Ordering Details

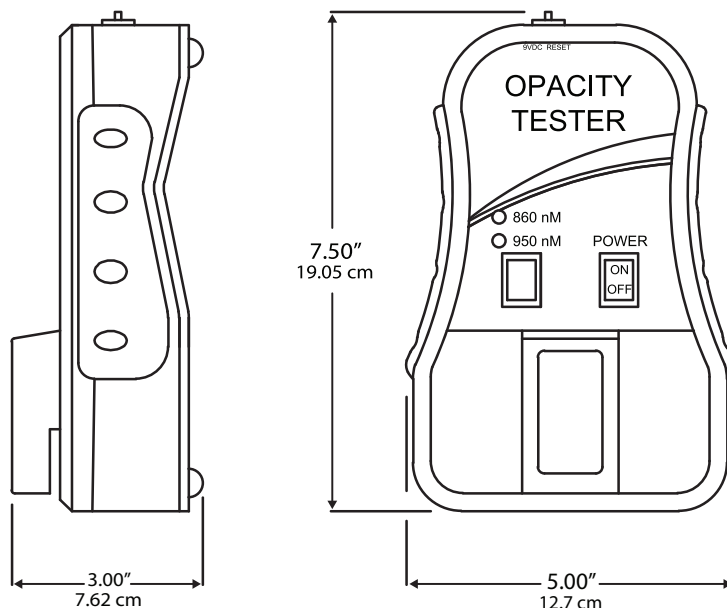
Part #	Description
905703-2	Opacity Tester
905703-CAL	Equipment Calibration
W82-SK-846	Black Opaque Reference Card (BORC)
W82-ORC-01	Opacity Reference Material Card (ORM-7810)

Specifications

Weight

- 1 pound

Dimensions



301 Reagan Street
Sunbury PA 17801 USA
Phone 570.286.7447
Fax 570.286.2649
www.q-card.com

Q-Card is an



800-717-8007