

## Router Tool for CQM Back of Card Spot Test

Q-Card's battery powered router tool conveniently and safely removes the material located behind the chip to prepare a card for the back of card spot pressure test. It is designed to be a much safer alternative to using a razor knife.

The base of the fixture is manufactured of aircraft grade aluminum with a hard anodized finish for durability. It has splayed feet and aggressive non-slip rubber feet for stability. The fixture has a micrometer for fine depth adjustments and a chip location insert to accommodate both 6 and 8 contact formats.

The plunge style router has a rechargeable battery and fixture parts are hard anodized aluminum for added durability.

The fixture is designed to prepare a card for the back of card spot pressure test according to the Mastercard CQM.



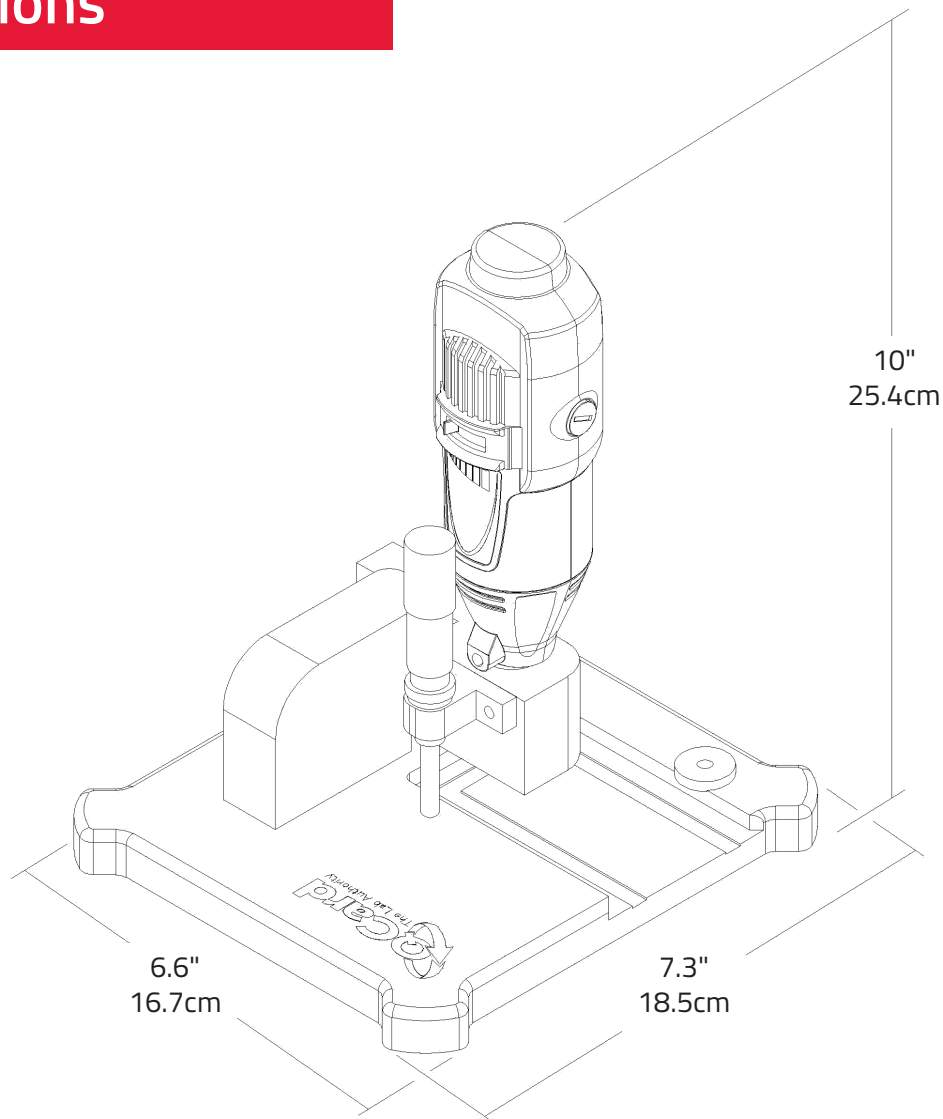
## Ordering Details

Part #	Description
906844	Router Tool (115 VAC)
906844-220	Router Tool (230 VAC)

## Specifications

Weight - 3 lbs.

## Dimensions



301 Reagan Street  
Sunbury PA 17801 USA  
Phone 570.286.7447  
Fax 570.286.2649  
[www.q-card.com](http://www.q-card.com)

Q-Card is an



**800-717-8007**