

## Durability of Surface Printing/Tipping Fixture



## Durability of Surface Printing/Tipping Fixture

Q-Card's durability of surface printing/tipping fixture is designed to be a secure hold down of the card under test. The fixture holds a standard ID-1 size card in a cavity that securely holds the card in place when removing test tape.

The fixture is manufactured of a durable aircraft grade aluminum with a hard-anodized coating for durability.

It has splayed feet and aggressive non-slip rubber feet for stability.

The fixture is designed to perform the following tests (tape not included):

### **MasterCard CQM**

- Durability of Surface Printing
- Durability of Tipping

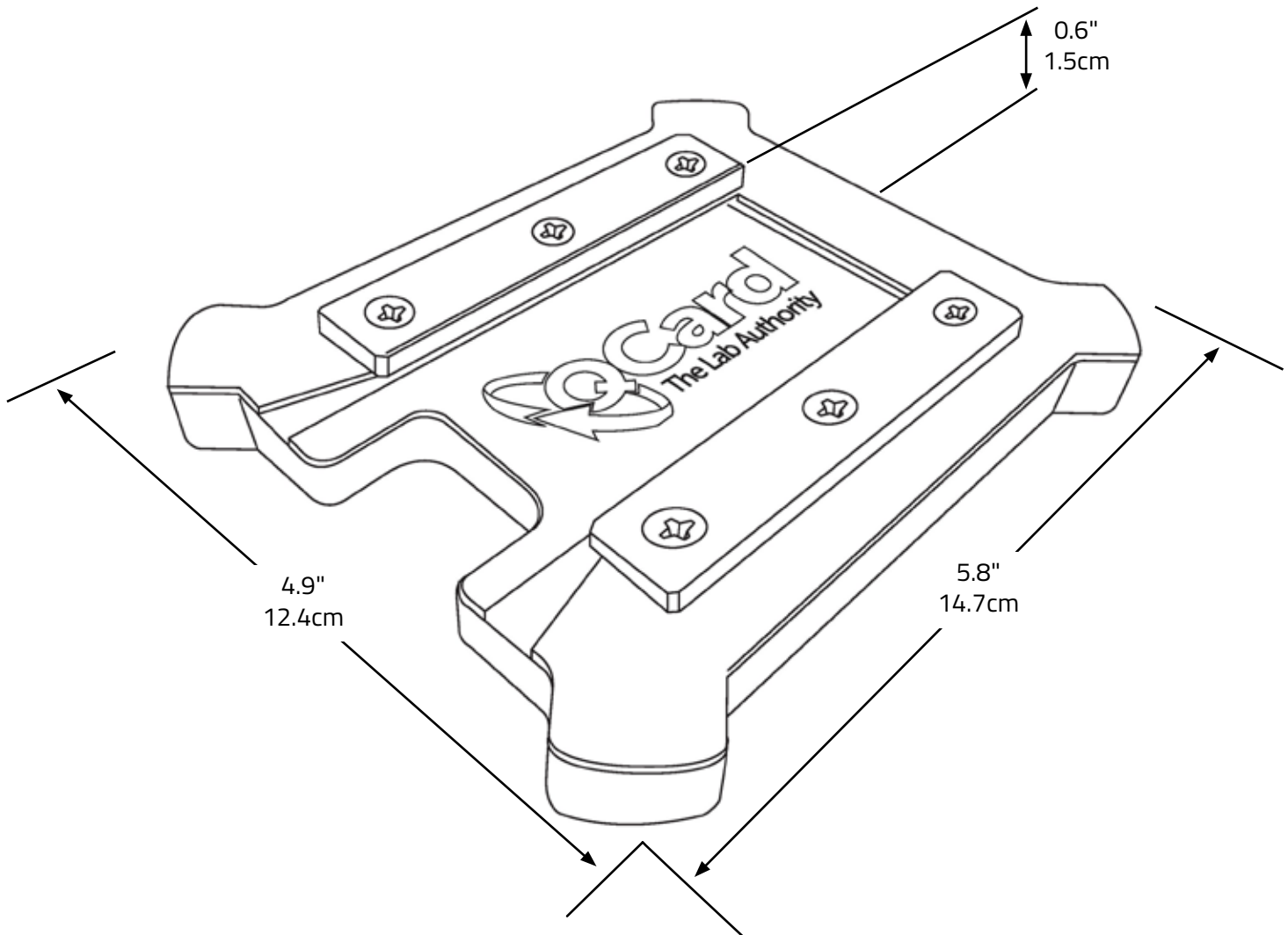
## Ordering Details

Part #	Description
906703	Durability of Surface Printing/ Tipping Fixture

## Specifications

Weight - 2 lbs.

## Dimensions



301 Reagan Street  
Sunbury, PA 17801 USA  
Phone: 570.286.7447  
Fax: 570.286.2649  
[www.q-card.com](http://www.q-card.com)



**800-717-8007**